

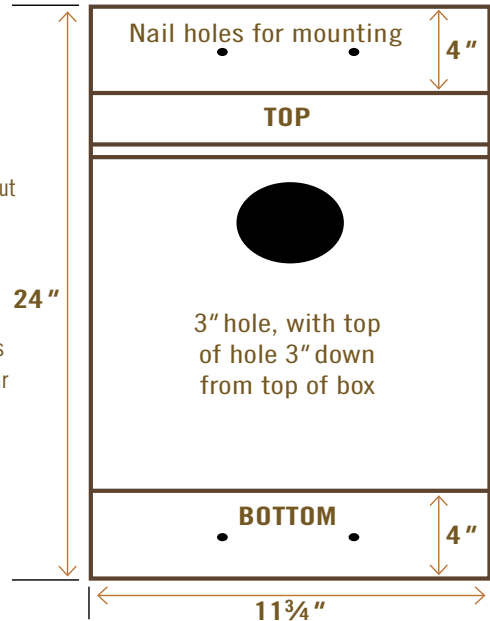


Nest Box Plans

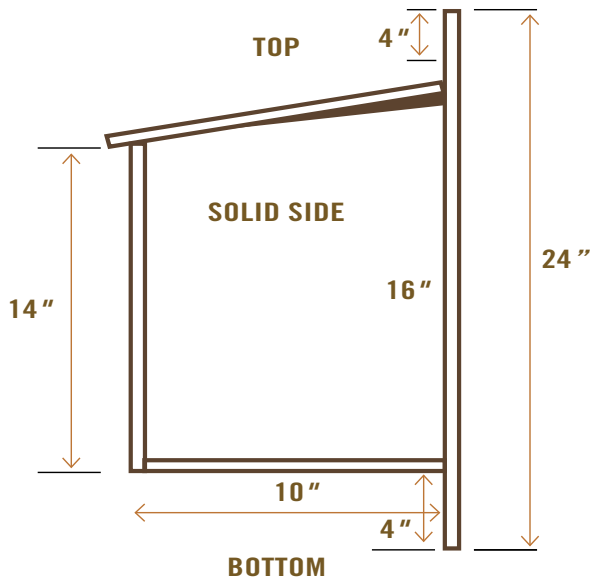
SUPPLIES NEEDED

- Use raw pine or cedar. Don't paint or treat with a wood preservative.
- An outside perch isn't necessary and may attract other species to the box. You can add a perch inside (using cutout from entrance) about 3 inches below entrance hole.
- Use 1½-inch galvanized deck screws for the box.
- Place 2 inches of coarse wood shavings (not sawdust) in bottom of box each year before nesting season.

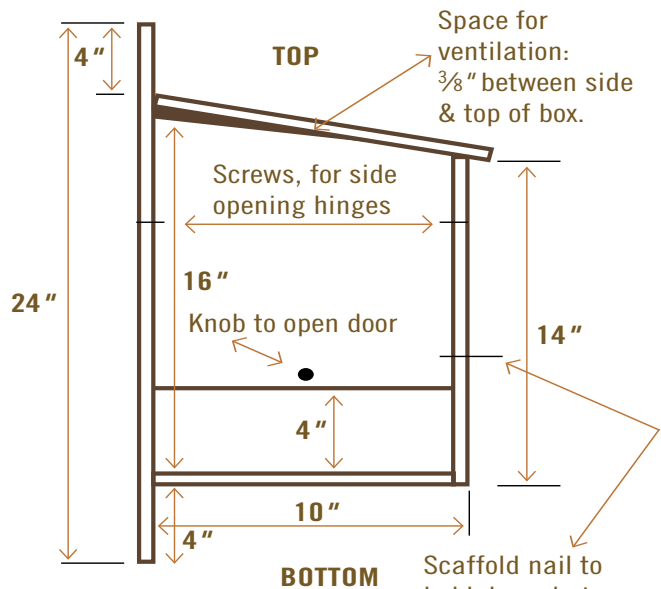
Front View of Box



Side View of Box

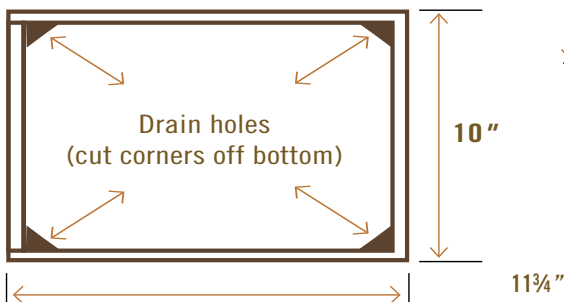


Side View with Door



Bottom of Box

Bottom is inset into sides of box



Scaffold nail to hold door shut. Drill through face into door. Coat with petroleum jelly to prevent rusting.